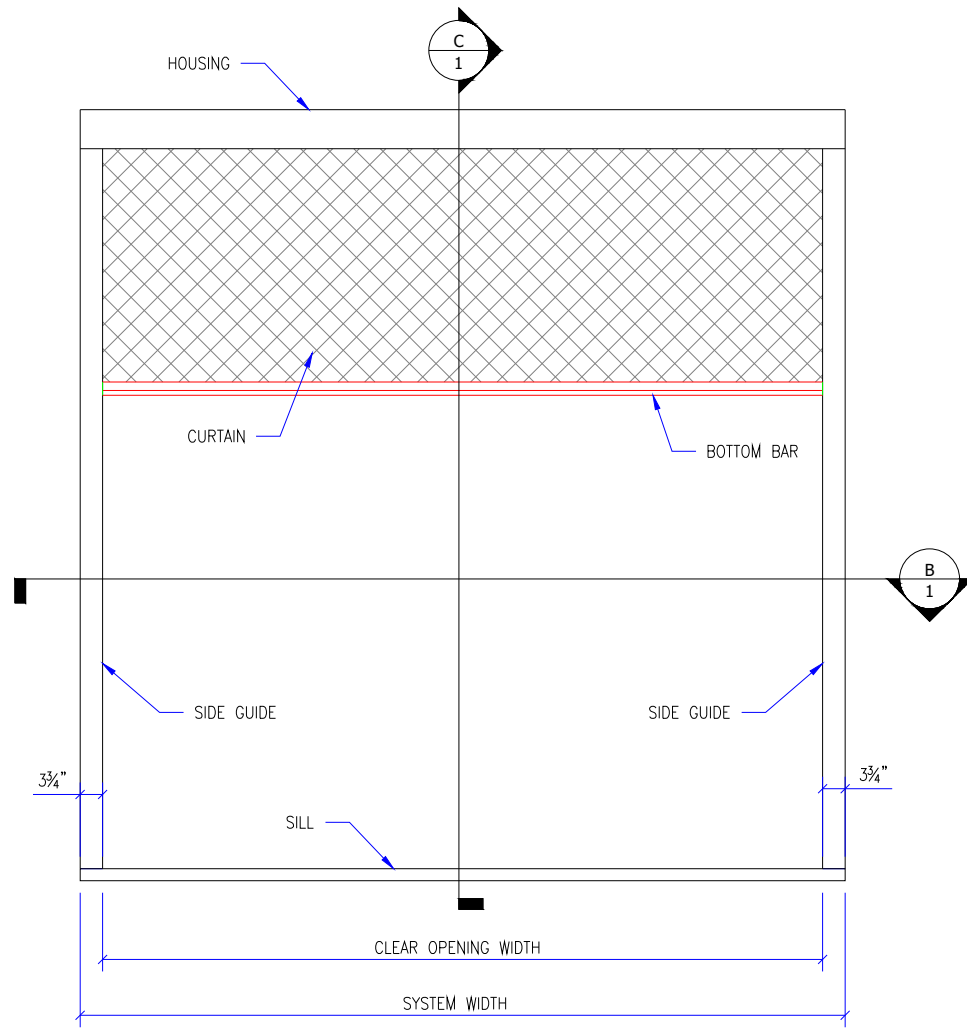
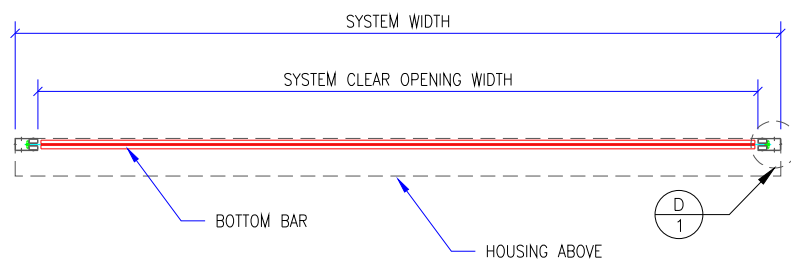


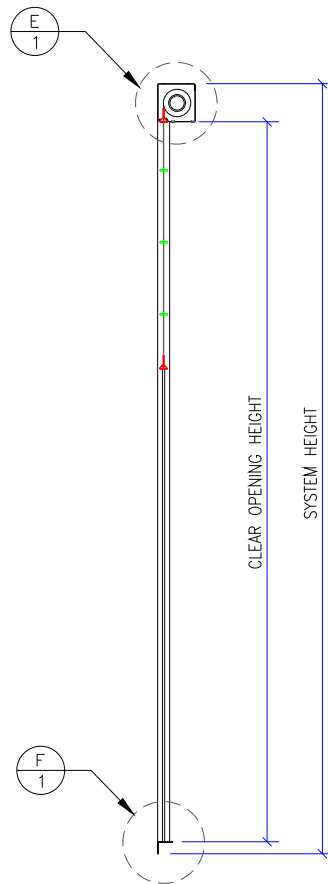
- M1000 GENERAL NOTES:
1. SMOKE GUARD FIRE RATED UNITS (HOUSINGS & SIDE GUIDES) TO BE MOUNTED TO A FINISHED, FIRE RATED ASSEMBLY OR STRUCTURE PER YOUR APPLICATION.
 2. CLIENT TO PROVIDE CONTINUOUS MOUNTING SURFACE FOR STRUCTURAL AND SHEET METAL ATTACHMENT.
 3. TOLERANCE: FLOOR TO CEILING VARIANCE MUST BE WITHIN +/- 1/2" ACROSS LENGTH OF MACHINE..
 4. ORDER LENGTHS TO BE AT 1/4" INCREMENTS ONLY.
 5. DIMENSIONS TO NOT INCLUDE HEADS OF EXTERNAL FASTENERS.



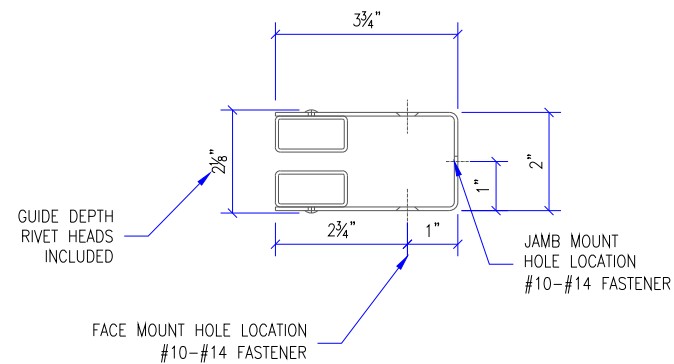
A M1000 ELEVATION
SCALE: 3/8" = 1'-0"



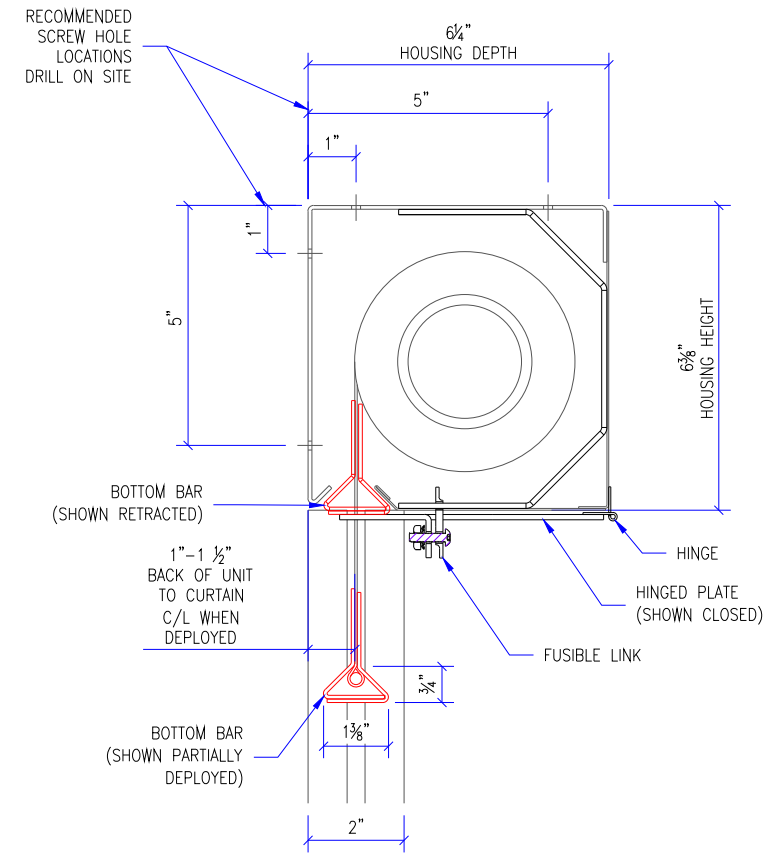
B PLAN SECTION
SCALE: 3/8" = 1'-0"



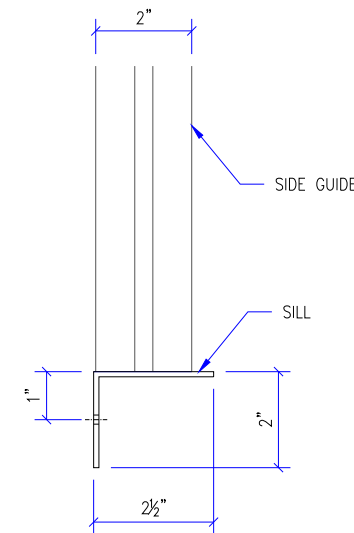
C ELEVATION SECTION
SCALE: 3/8" = 1'-0"



D DETAIL D: SIDE GUIDE
SCALE: 3" = 1'-0"



E DETAIL E: HOUSING
SCALE: 3" = 1'-0"



F DETAIL F: BOTTOM SILL
SCALE: 3" = 1'-0"

REVISION

| REVISION NUMBER | REVISION DATE | REVISION DESCRIPTION |
|-----------------|---------------|----------------------|
| 01 | 7.27.20 | INITIAL RELEASE |
| | | |
| | | |

QUOTE:
CONFIGURATION:
PROJECT:
DIST.:

DESIGN SET: D1

MODEL: M1000

ELEVATION AND
PLAN VIEWS

DRAWN: LPK/TLM 7.27.2020

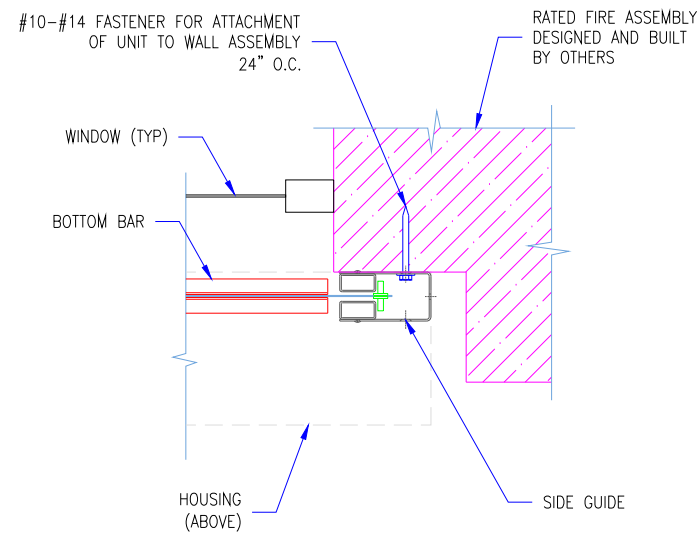
SIZE

B

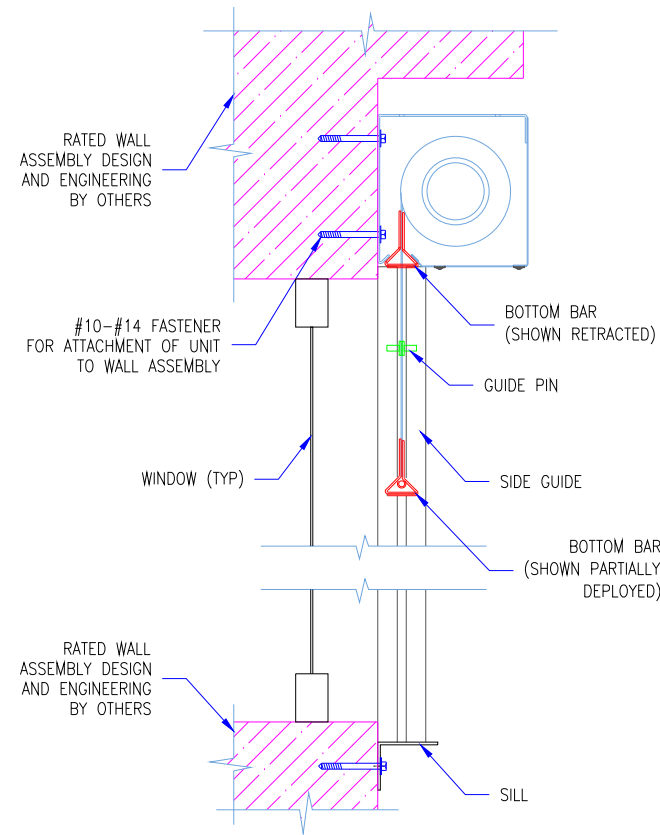
SHEET

1 OF 5

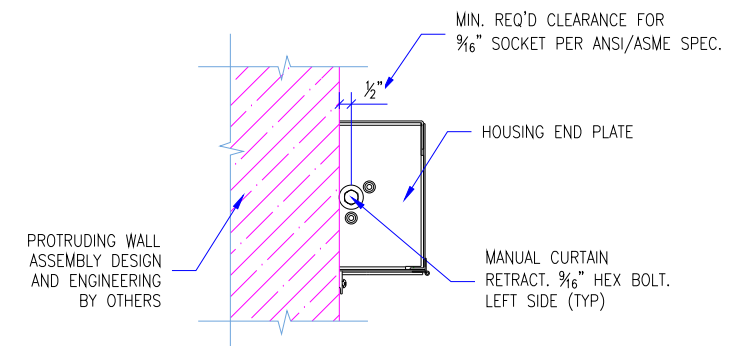
- M1000 GENERAL NOTES:
1. SMOKE GUARD FIRE RATED UNITS (HOUSINGS & SIDE GUIDES) TO BE MOUNTED TO A FINISHED, FIRE RATED ASSEMBLY OR STRUCTURE PER YOUR APPLICATION.
 2. CLIENT TO PROVIDE CONTINUOUS MOUNTING SURFACE FOR STRUCTURAL AND SHEET METAL ATTACHMENT.
 3. TOLERANCE: FLOOR TO CEILING VARIANCE MUST BE WITHIN +/- 1/2" ACROSS LENGTH OF MACHINE..
 4. ORDER LENGTHS TO BE AT 1/4" INCREMENTS ONLY.
 5. DIMENSIONS TO NOT INCLUDE HEADS OF EXTERNAL FASTENERS.



A SIDE GUIDE FACE MOUNT
AS TESTED (TYP)
SCALE: 1 1/2" = 1'-0"



B HOUSING FACE MOUNT
AS TESTED (TYP)
SCALE: 1 1/2" = 1'-0"



C REQUIRED CLEARANCE
TO REWIND BOLT
SCALE: 1 1/2" = 1'-0"

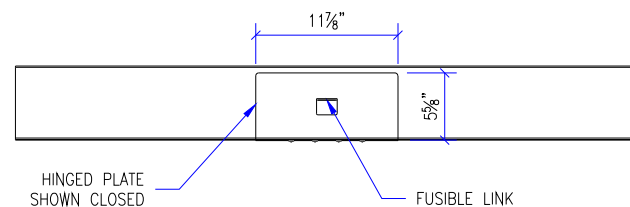
REVISION

| REVISION NUMBER | REVISION DATE | REVISION DESCRIPTION |
|-----------------|---------------|----------------------|
| 01 | 7.27.20 | INITIAL RELEASE |
| | | |
| | | |

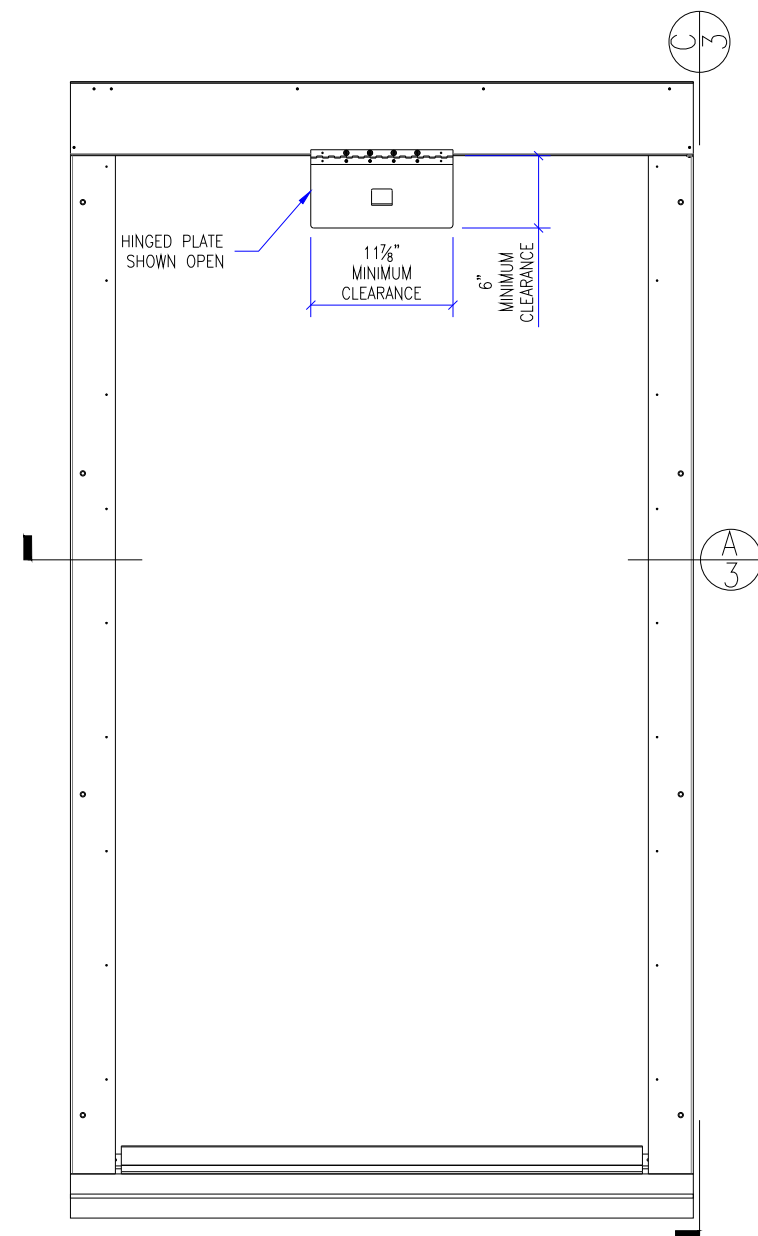
QUOTE:
CONFIGURATION:
PROJECT:
DIST.:

| | |
|--------------------------|------------------|
| DESIGN SET: D1 | SIZE B |
| MODEL: M1000 | SHEET 2 OF 5 |
| MOUNTING DETAIL VIEWS | |
| DRAWN: LPK/TLM | 7.27.2020 |

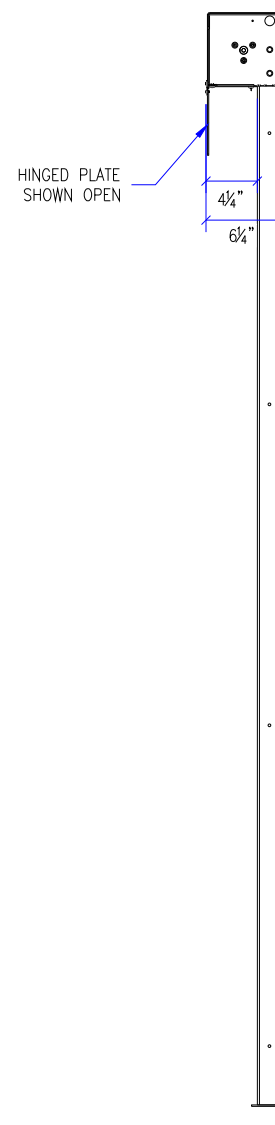
- M1000 GENERAL NOTES:
1. SMOKE GUARD FIRE RATED UNITS (HOUSINGS & SIDE GUIDES) TO BE MOUNTED TO A FINISHED, FIRE RATED ASSEMBLY OR STRUCTURE PER YOUR APPLICATION.
 2. CLIENT TO PROVIDE CONTINUOUS MOUNTING SURFACE FOR STRUCTURAL AND SHEET METAL ATTACHMENT.
 3. TOLERANCE: FLOOR TO CEILING VARIANCE MUST BE WITHIN +/- 1/2" ACROSS LENGTH OF MACHINE..
 4. ORDER LENGTHS TO BE AT 1/4" INCREMENTS ONLY.
 5. DIMENSIONS TO NOT INCLUDE HEADS OF EXTERNAL FASTENERS.



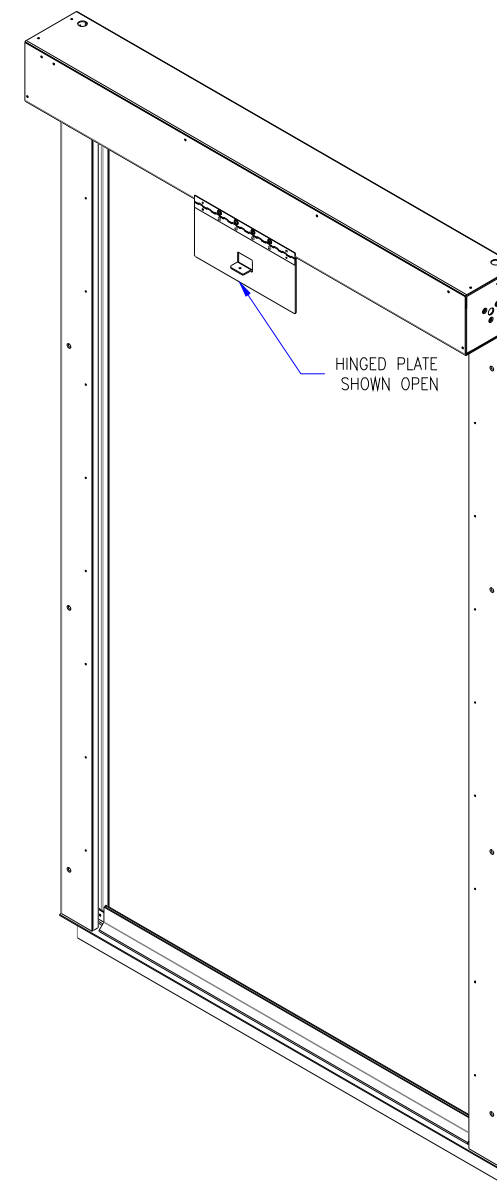
A M1000 REFLECTED CEILING PLAN
SCALE: 3/4" = 1'-0"



B M1000 FRONT VIEW
SCALE: 3/4" = 1'-0"



C M1000 SIDE VIEW
SCALE: 3/4" = 1'-0"



D M1000 ISOMETRIC DETAIL
SCALE: 3/4" = 1'-0"

REVISION

| REVISION NUMBER | REVISION DATE | REVISION DESCRIPTION |
|-----------------|---------------|----------------------|
| 01 | 7.27.20 | INITIAL RELEASE |
| | | |
| | | |

QUOTE:
CONFIGURATION:
PROJECT:
DIST.:

DESIGN SET: D1

MODEL: M1000

HINGE
CLEARANCES

DRAWN: LPK/TLM 7.27.2020

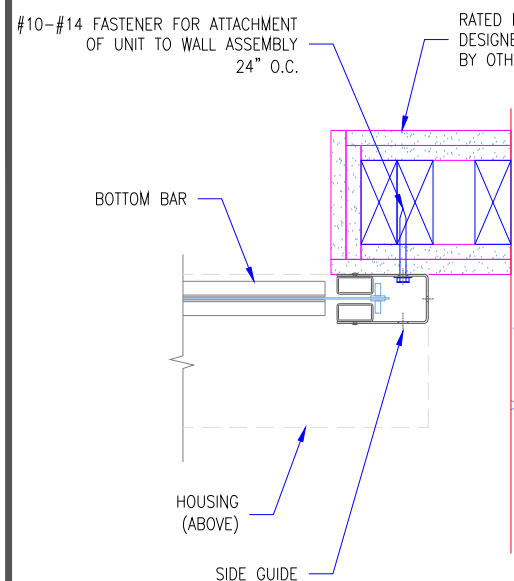
SIZE

B

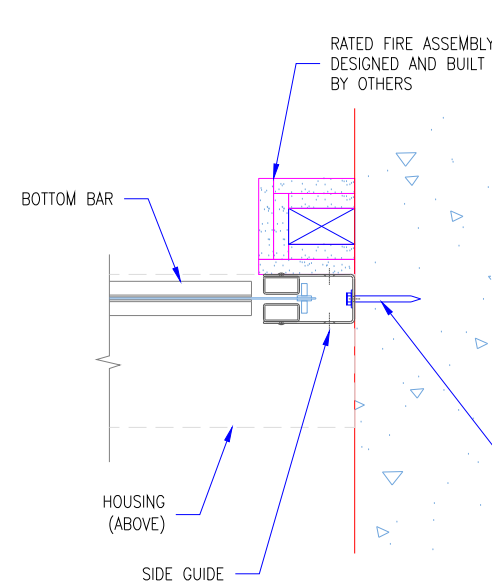
SHEET

3 OF 5

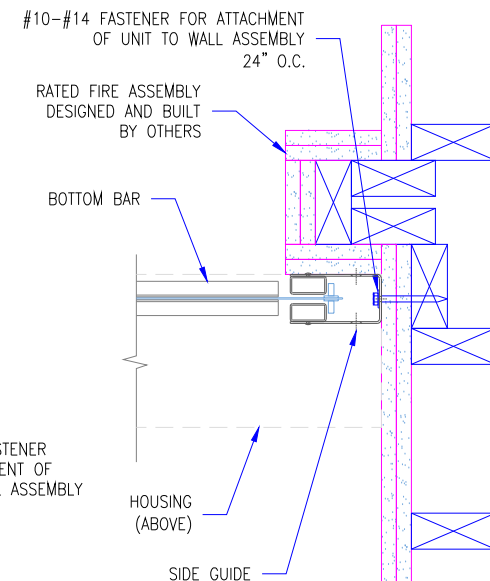
- M1000 GENERAL NOTES:
1. SMOKE GUARD FIRE RATED UNITS (HOUSINGS & SIDE GUIDES) TO BE MOUNTED TO A FINISHED, FIRE RATED ASSEMBLY OR STRUCTURE PER YOUR APPLICATION.
 2. CLIENT TO PROVIDE CONTINUOUS MOUNTING SURFACE FOR STRUCTURAL AND SHEET METAL ATTACHMENT.
 3. TOLERANCE: FLOOR TO CEILING VARIANCE MUST BE WITHIN +/- 1/2" ACROSS LENGTH OF MACHINE.
 4. ORDER LENGTHS TO BE AT 1/4" INCREMENTS ONLY.
 5. DIMENSIONS TO NOT INCLUDE HEADS OF EXTERNAL FASTENERS.



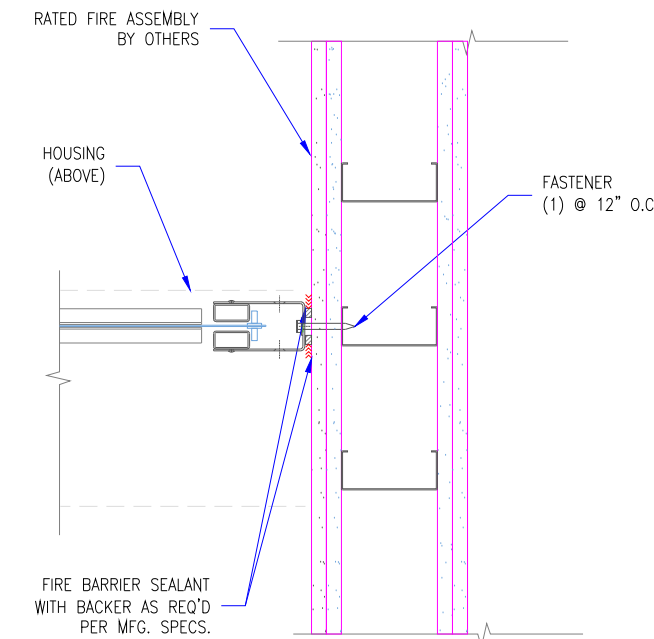
8 SIDE GUIDE AS TESTED-FACE MOUNT
SCALE: 1 1/2" = 1'-0"



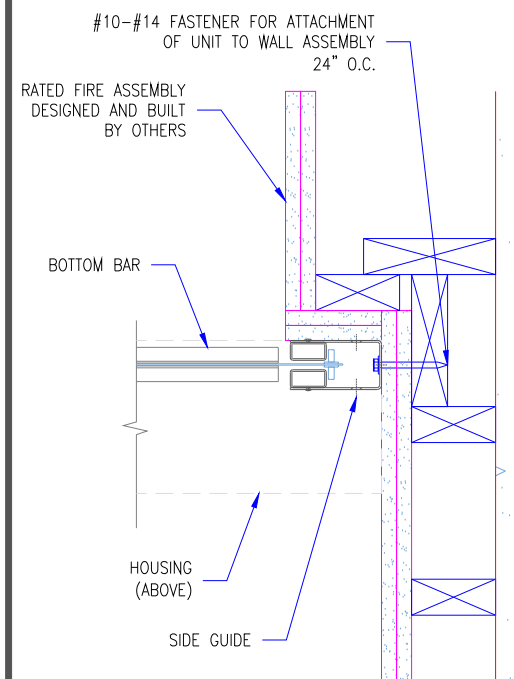
6 SIDE GUIDE DETAIL - DIRECT JAMB MOUNT, APPLIED BUMP OUT
SCALE: 1 1/2" = 1'-0"



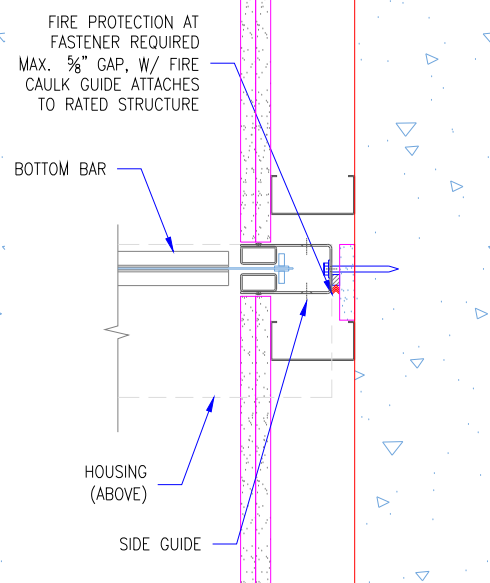
4 SIDE GUIDE DETAIL - JAMB MOUNT, APPLIED BUMP OUT
SCALE: 1 1/2" = 1'-0"



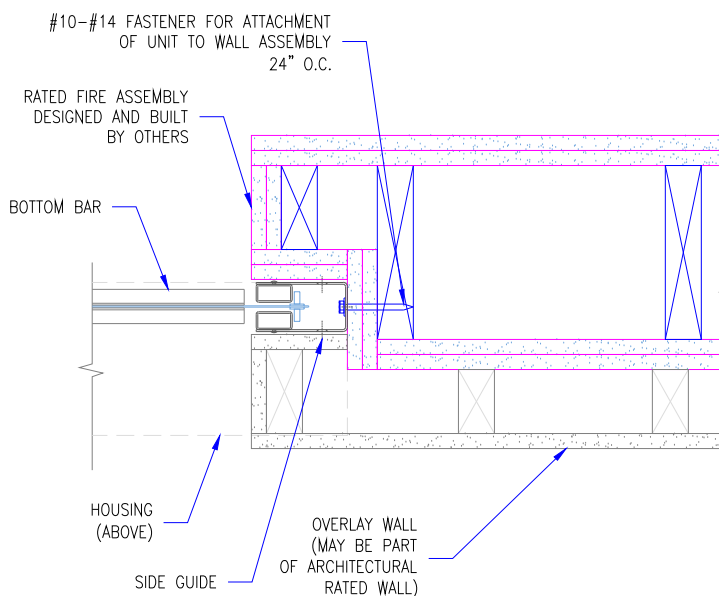
2 SIDE GUIDE DETAIL - JAMB MOUNT
SCALE: 1 1/2" = 1'-0"



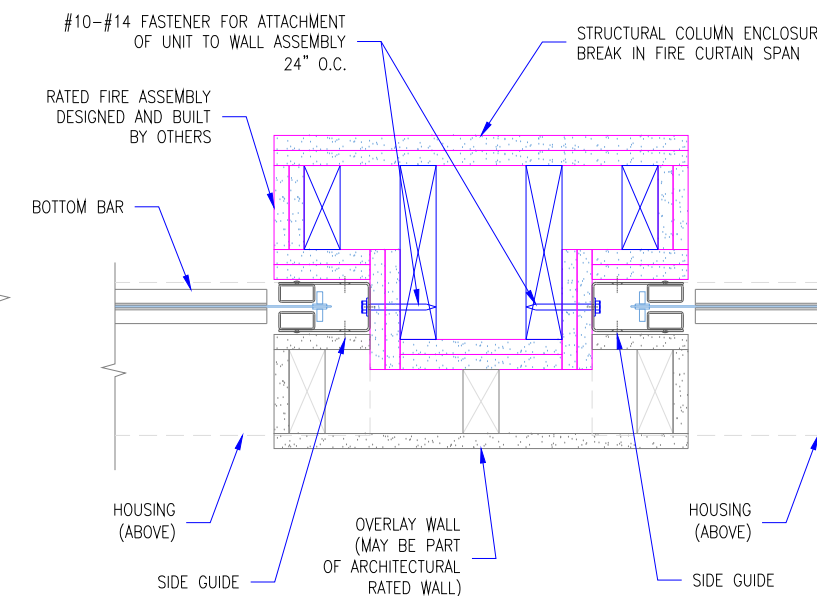
7 SIDE GUIDE DETAIL - JAMB MOUNT, STAGGERED ASSEMBLY
SCALE: 1 1/2" = 1'-0"



5 SIDE GUIDE DETAIL - JAMB MOUNT PERPENDICULAR TO WALL
SCALE: 1 1/2" = 1'-0"



3 SIDE GUIDE DETAIL - JAMB MOUNT, STAGGERED ASSEMBLY INLINE W/WALL NON-RATED OVERLAY
SCALE: 1 1/2" = 1'-0"



1 SIDE GUIDE DETAIL - JAMB MOUNT, STAGGERED ASSEMBLY INLINE W/WALL NON-RATED OVERLAY COLUMN ENCLOSURE
SCALE: 1 1/2" = 1'-0"

FIRE RATED

REVISION

| REVISION NUMBER | REVISION DATE | REVISION DESCRIPTION |
|-----------------|---------------|----------------------|
| 01 | 7.27.20 | INITIAL RELEASE |
| | | |
| | | |

QUOTE:
CONFIGURATION:
PROJECT:
DIST.:

DESIGN SET: D1

MODEL: M1000

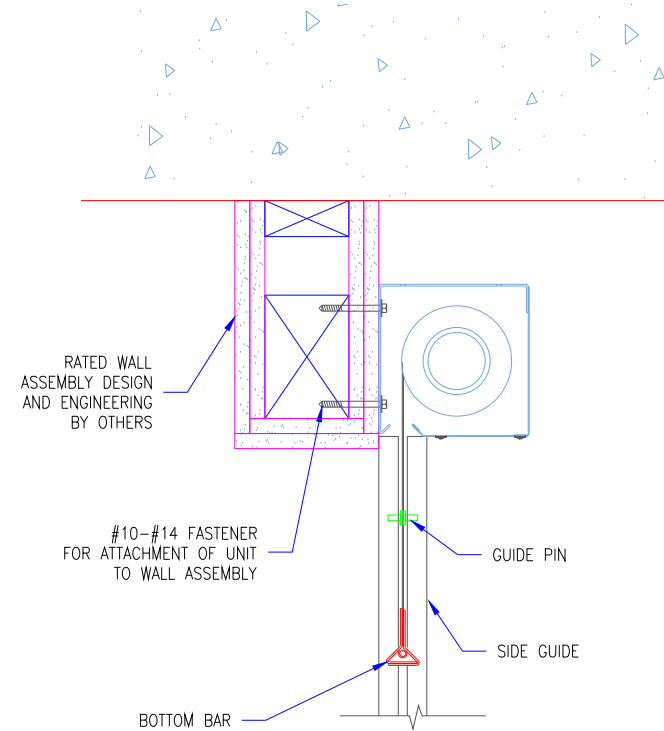
SIDE GUIDE
DETAILS

DRAWN: LPK/TLM 7.27.2020

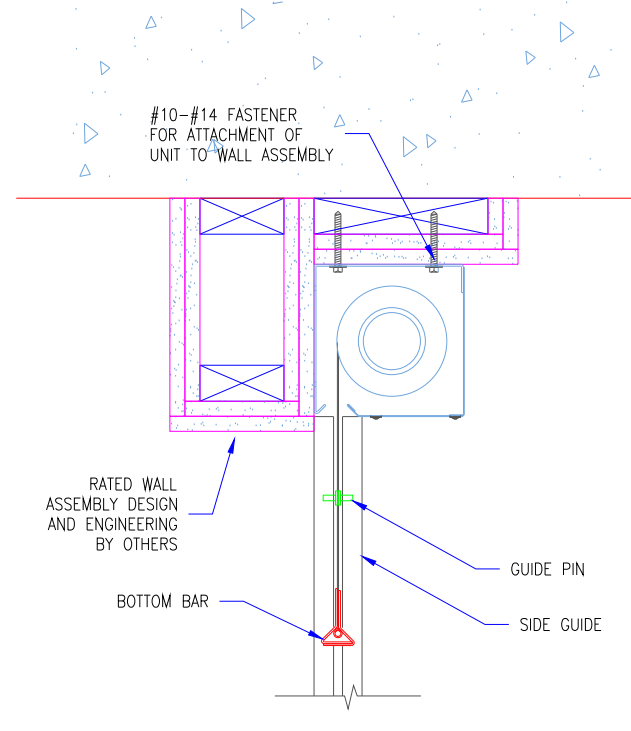
SIZE
B

SHEET
4 OF 5

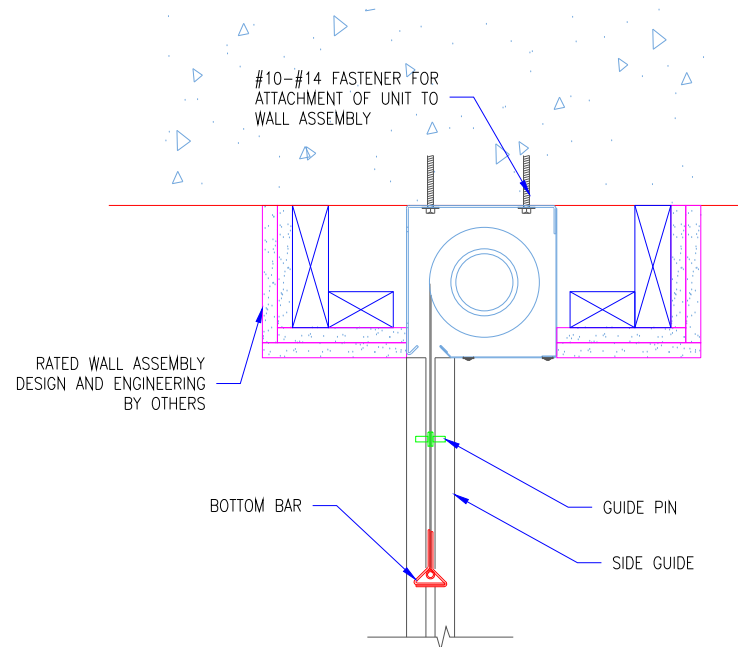
- M1000 GENERAL NOTES:
1. SMOKE GUARD FIRE RATED UNITS (HOUSINGS & SIDE GUIDES) TO BE MOUNTED TO A FINISHED, FIRE RATED ASSEMBLY OR STRUCTURE PER YOUR APPLICATION.
 2. CLIENT TO PROVIDE CONTINUOUS MOUNTING SURFACE FOR STRUCTURAL AND SHEET METAL ATTACHMENT.
 3. TOLERANCE: FLOOR TO CEILING VARIANCE MUST BE WITHIN +/- 1/2" ACROSS LENGTH OF MACHINE..
 4. ORDER LENGTHS TO BE AT 1/4" INCREMENTS ONLY.
 5. DIMENSIONS TO NOT INCLUDE HEADS OF EXTERNAL FASTENERS.



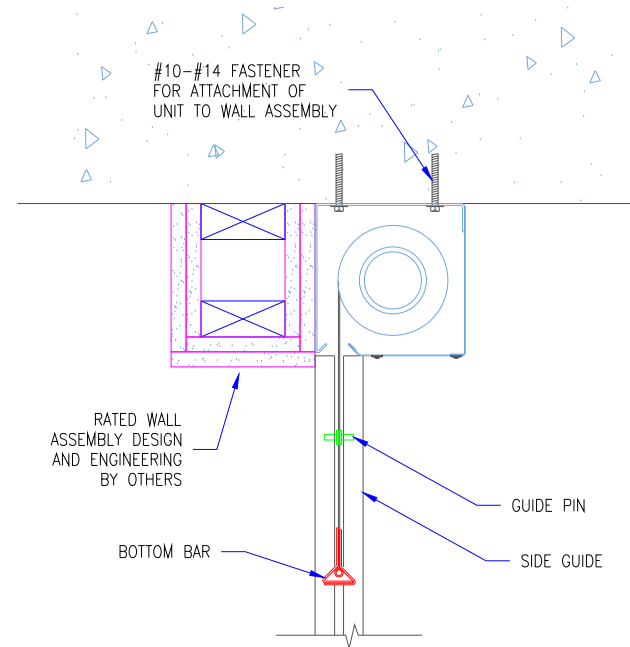
3 HEADBOX FACE MOUNT
SCALE: 1 1/2" = 1'-0"



1 HEADBOX AS TESTED TOP MOUNT
SCALE: 1 1/2" = 1'-0"



4 TOP MOUNT W/ FLUSH COVER
SCALE: 1 1/2" = 1'-0"



2 HEADBOX TOP MOUNT TO DECK
SCALE: 1 1/2" = 1'-0"

FIRE RATED

REVISION

| REVISION NUMBER | REVISION DATE | REVISION DESCRIPTION |
|-----------------|---------------|----------------------|
| 01 | 7.27.20 | INITIAL RELEASE |
| | | |
| | | |

QUOTE:
CONFIGURATION:
PROJECT:
DIST.:

| | |
|----------------|------------------|
| DESIGN SET: D1 | SIZE B |
| MODEL: M1000 | SHEET 5 OF 5 |
| HEAD DETAILS | |
| DRAWN: LPK/TLM | 7.27.2020 |