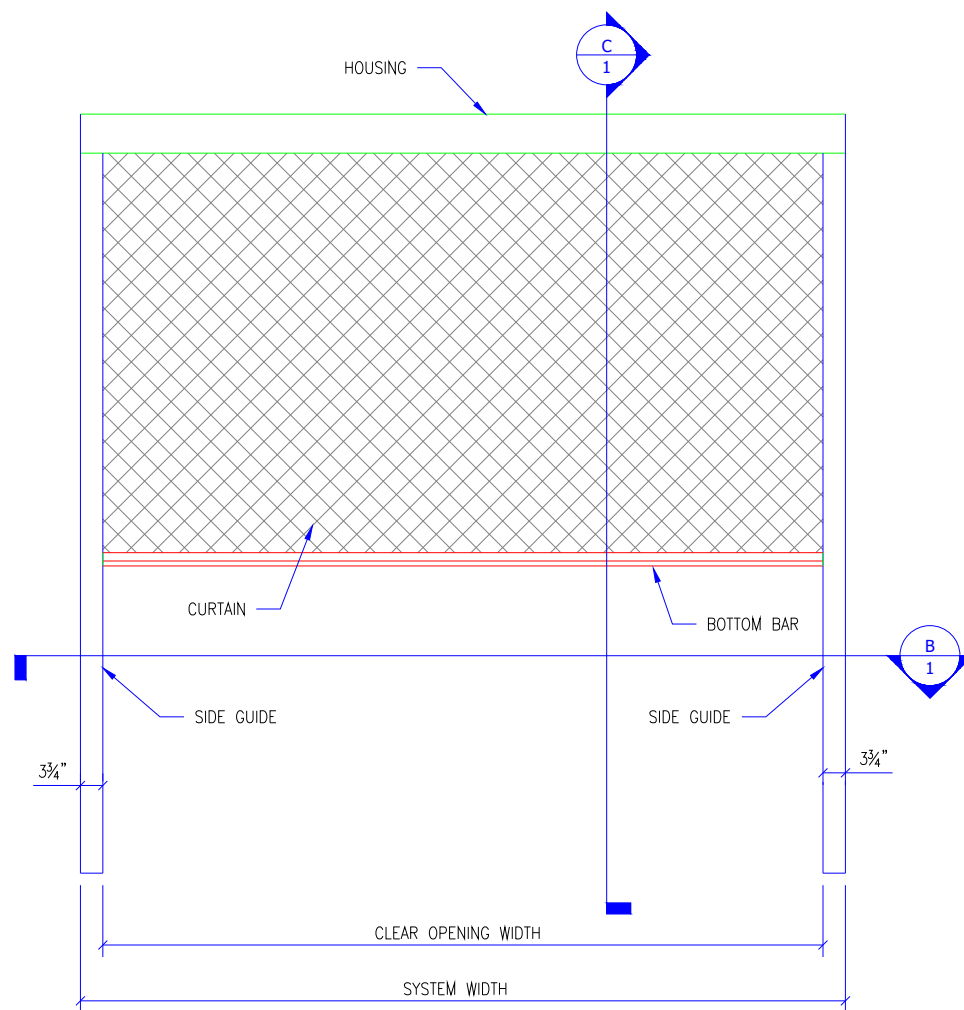
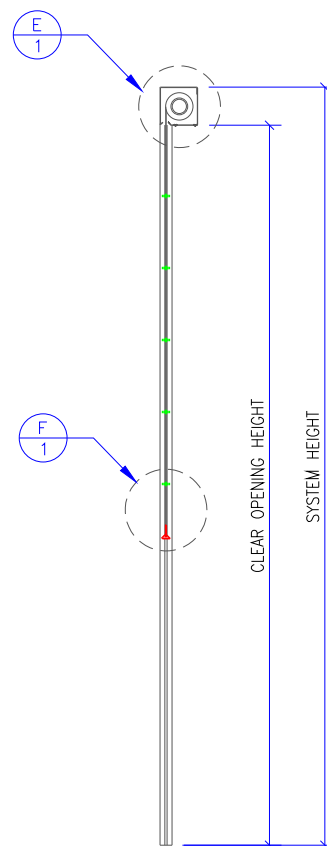


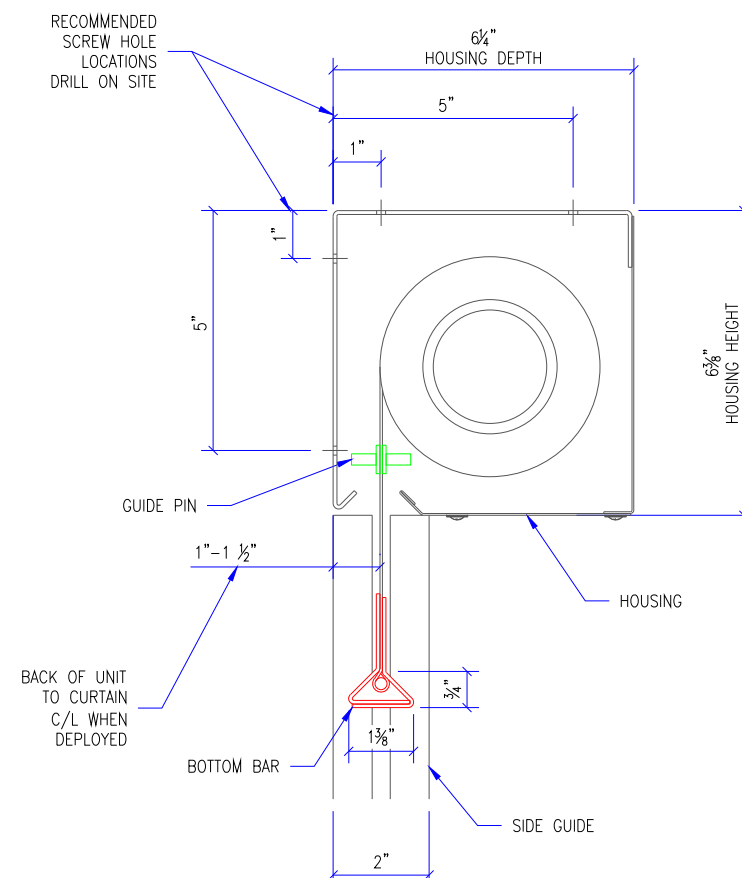
- M2100 FIRE NOTES:
- SMOKE GUARD FIRE RATED UNITS (HOUSINGS & SIDE GUIDES) TO BE MOUNTED TO A FINISHED, FIRE RATED ASSEMBLY OR STRUCTURE PER YOUR APPLICATION.
 - CLIENT TO PROVIDE CONTINUOUS MOUNTING SURFACE FOR STRUCTURAL AND SHEET METAL ATTACHMENT.
 - TOLERANCE: FLOOR TO CEILING VARIANCE MUST BE WITHIN +/- 1/2" ACROSS LENGTH OF MACHINE.
 - ORDER LENGTHS TO BE AT 1/4" INCREMENTS ONLY.
 - DIMENSIONS TO NOT INCLUDE HEADS OF EXTERNAL FASTENERS.
 - STRUCTURAL DESIGN TO USE LOADS OF 11 LBS/FT
 - STRUCTURAL ATTACHMENT TO BE WITHIN 6" OF EACH END AND MAX OF 36" ON CENTER. (2) SCREWS PER LOCATION, DRILLING REQUIRED ON SITE.



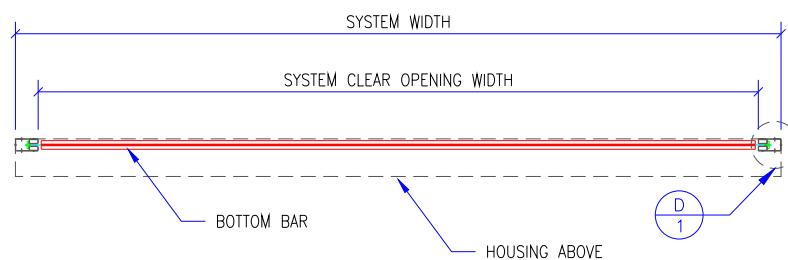
A ELEVATION
SCALE: 3/8" = 1'-0"



C ELEVATION SECTION
SCALE: 3/8" = 1'-0"

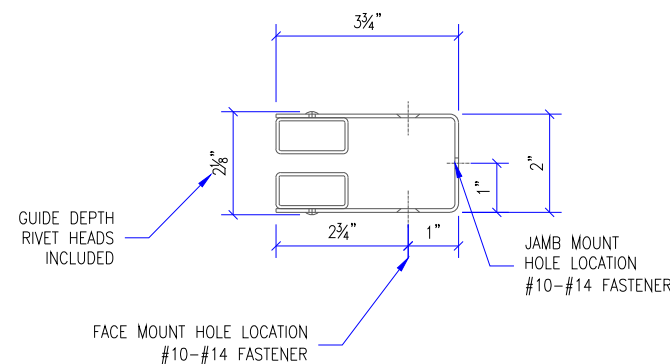


E DETAIL E: HOUSING
SCALE: 3" = 1'-0"

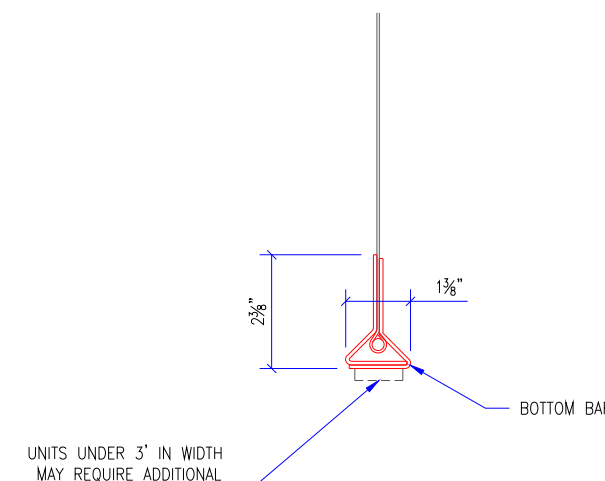


B PLAN SECTION
SCALE: 3/8" = 1'-0"

20"x20" ACCESS PANEL REQ'D FOR LOWERED HARD CEILING



D DETAIL D: SIDE GUIDE
SCALE: 3" = 1'-0"



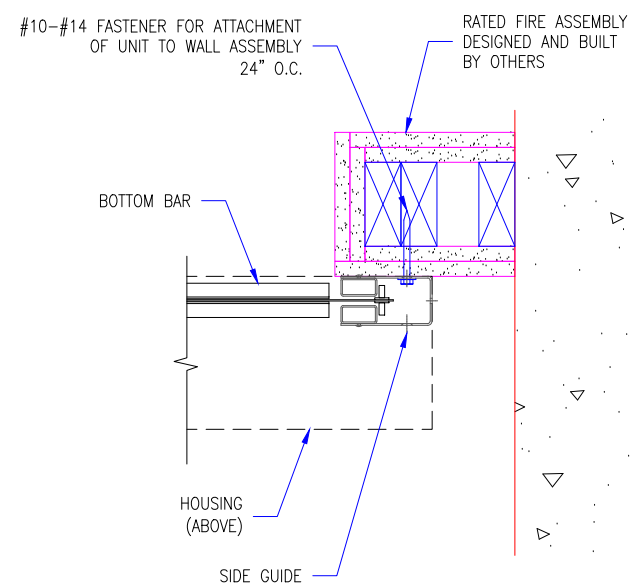
F DETAIL F: BOTTOM BAR
SCALE: 3" = 1'-0"

REVISION		
REVISION NUMBER	REVISION DATE	REVISION DESCRIPTION
01	7.27.20	INITIAL RELEASE

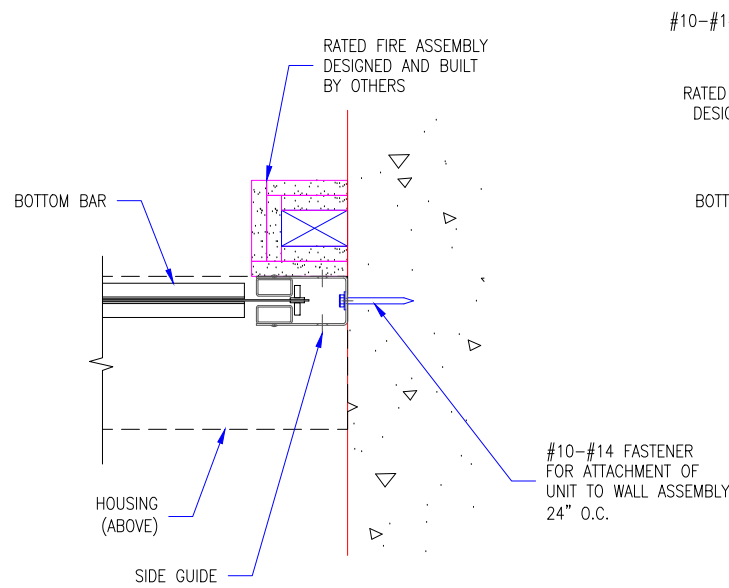
QUOTE:
CONFIGURATION:
PROJECT:
DIST.:

DESIGN SET: D1	SIZE B
MODEL: M2100	SHEET 1 OF 5
M2100 ELEVATION PLAN AND SECTION	
DRAWN: TM	7.28.2020

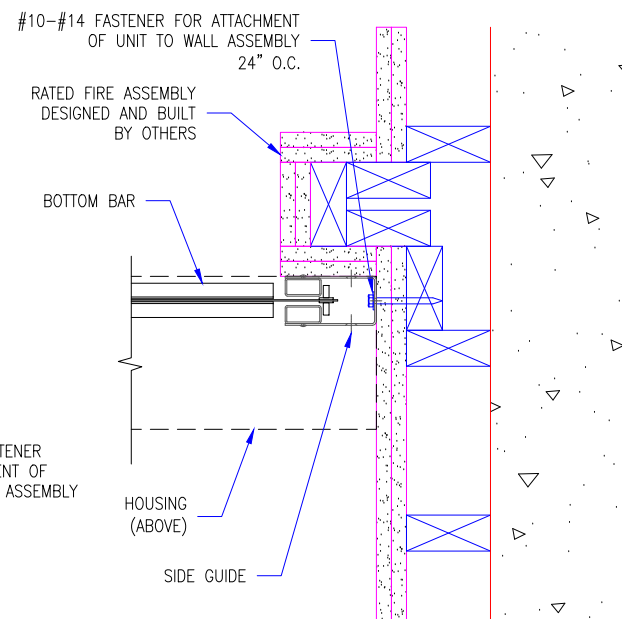
- M2100 FIRE NOTES:
1. SMOKE GUARD FIRE RATED UNITS (HOUSINGS & SIDE GUIDES) TO BE MOUNTED TO A FINISHED, FIRE RATED ASSEMBLY OR STRUCTURE PER YOUR APPLICATION.
 2. CLIENT TO PROVIDE CONTINUOUS MOUNTING SURFACE FOR STRUCTURAL AND SHEET METAL ATTACHMENT.
 3. TOLERANCE: FLOOR TO CEILING VARIANCE MUST BE WITHIN +/- 1/2" ACROSS LENGTH OF MACHINE.
 4. ORDER LENGTHS TO BE AT 1/4" INCREMENTS ONLY.
 5. DIMENSIONS TO NOT INCLUDE HEADS OF EXTERNAL FASTENERS.
 6. STRUCTURAL DESIGN TO USE LOADS OF 11 LBS/FT
 7. STRUCTURAL ATTACHMENT TO BE WITHIN 6" OF EACH END AND MAX OF 36" ON CENTER. (2) SCREWS PER LOCATION, DRILLING REQUIRED ON SITE.



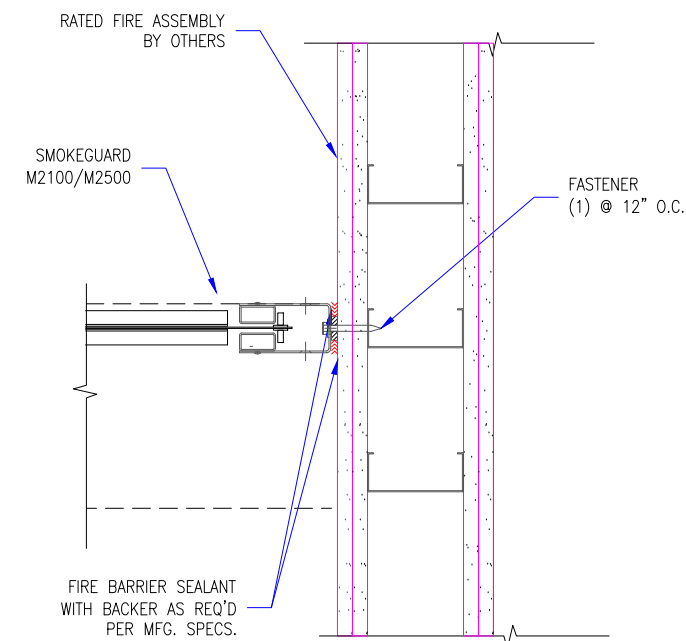
8 SIDE GUIDE AS TESTED-FACE MOUNT
SCALE: 1 1/2" = 1'-0"
APPROVED FIRE RATED INSTALLATION



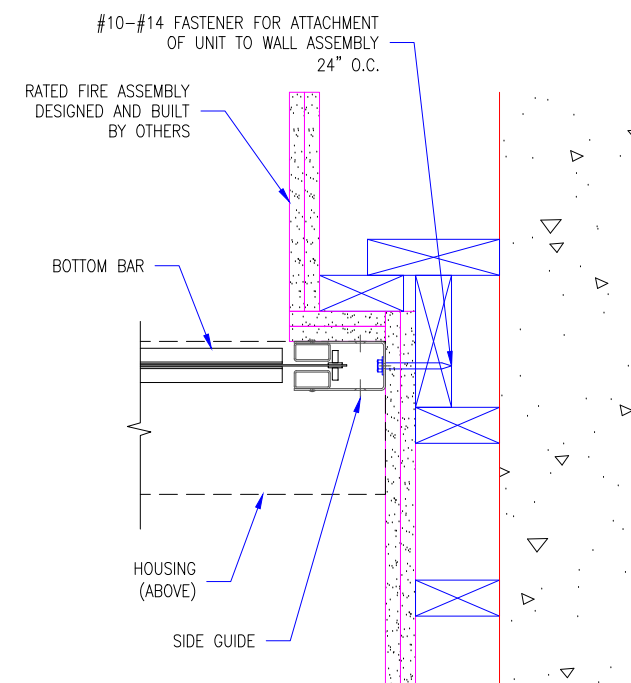
6 SIDE GUIDE DETAIL - DIRECT JAMB, APPLIED BUMP OUT
SCALE: 1 1/2" = 1'-0"
APPROVED FIRE RATED INSTALLATION



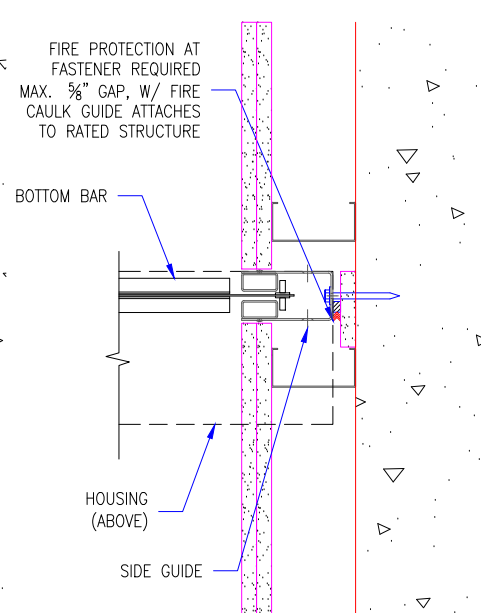
4 SIDE GUIDE DETAIL - JAMB MOUNT, APPLIED BUMP OUT
SCALE: 1 1/2" = 1'-0"
APPROVED FIRE RATED INSTALLATION



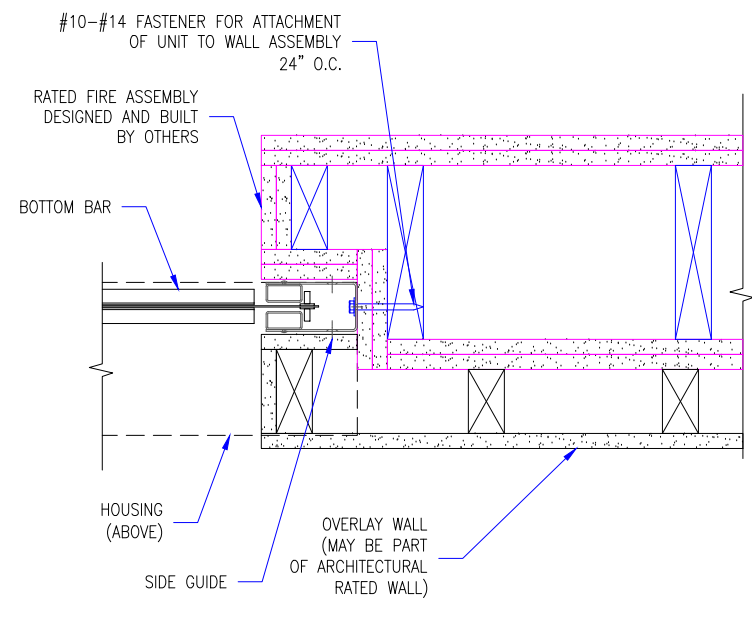
2 SIDE GUIDE DETAIL - JAMB MOUNT
SCALE: 1 1/2" = 1'-0"
APPROVED FIRE RATED INSTALLATION



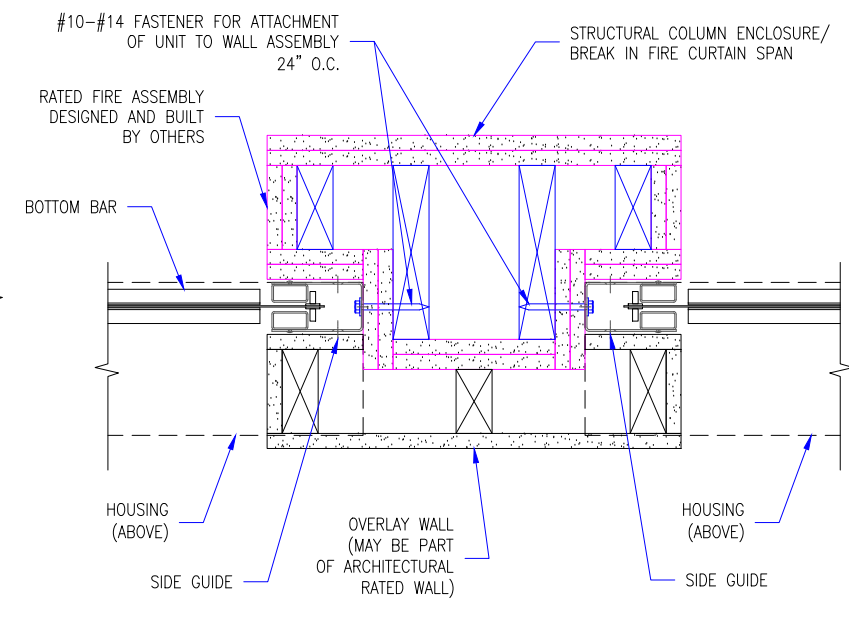
7 SIDE GUIDE DETAIL - JAMB MOUNT, STAGGERED ASSEMBLY
SCALE: 1 1/2" = 1'-0"
APPROVED FIRE RATED INSTALLATION



5 SIDE GUIDE DETAIL - JAMB MOUNT PERPENDICULAR TO WALL
SCALE: 1 1/2" = 1'-0"
APPROVED FIRE RATED INSTALLATION



3 SIDE GUIDE DETAIL - JAMB MOUNT, STAGGERED ASSEMBLY INLINE W/WALL NON-RATED OVERLAY
SCALE: 1 1/2" = 1'-0"
APPROVED FIRE RATED INSTALLATION



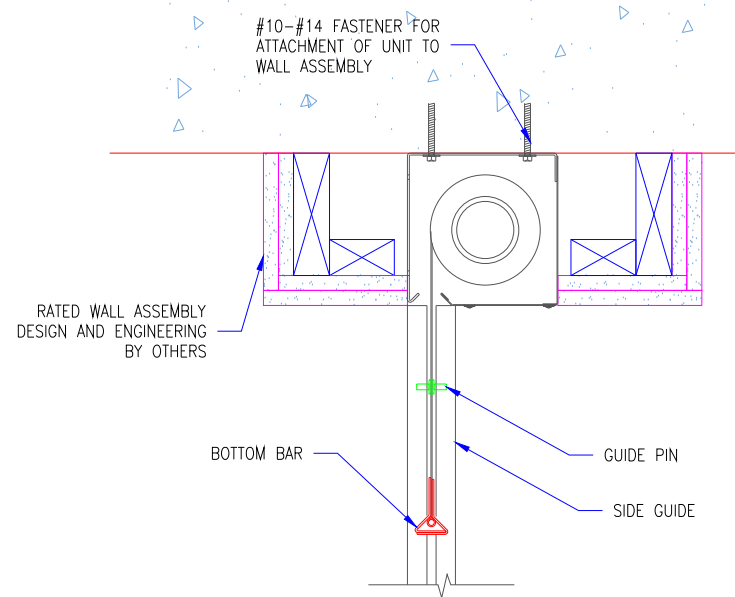
1 SIDE GUIDE DETAIL - JAMB MOUNT, STAGGERED ASSEMBLY INLINE W/WALL NON-RATED OVERLAY COLUMN ENCLOSURE
SCALE: 1 1/2" = 1'-0"
APPROVED FIRE RATED INSTALLATION

REVISION		
REVISION NUMBER	REVISION DATE	REVISION DESCRIPTION
01	7.27.20	INITIAL RELEASE

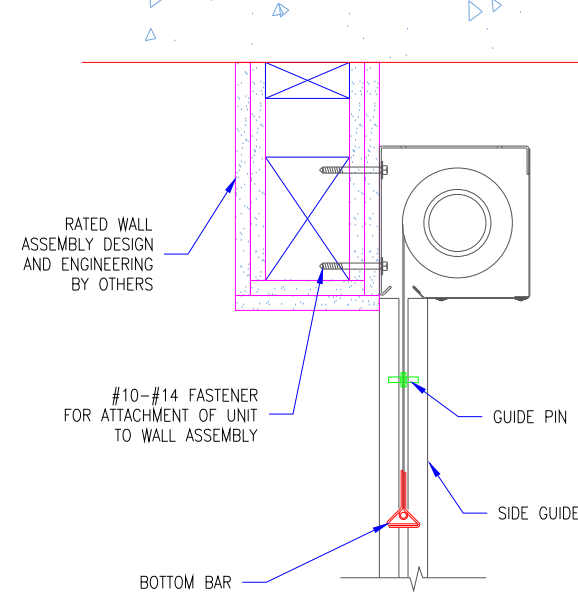
QUOTE:
CONFIGURATION:
PROJECT:
DIST.:

DESIGN SET: D1	SIZE B
MODEL: M2100	SHEET 2 OF 5
SIDE GUIDE DETAILS	
DRAWN: TM	7.28.2020

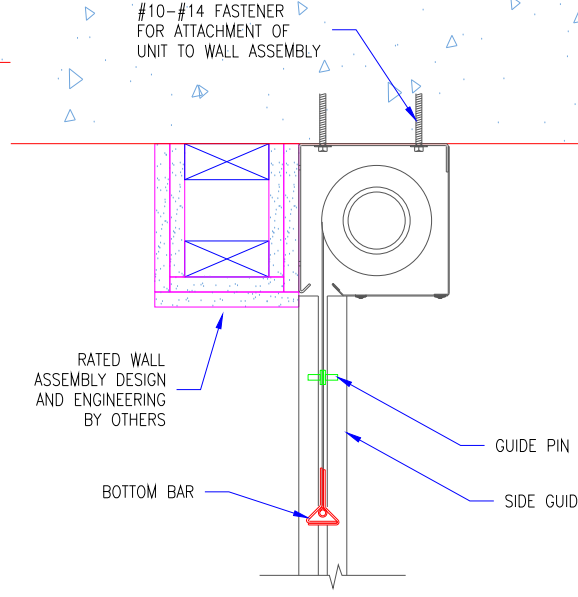
- M2100 FIRE NOTES:
1. SMOKE GUARD FIRE RATED UNITS (HOUSINGS & SIDE GUIDES) TO BE MOUNTED TO A FINISHED, FIRE RATED ASSEMBLY OR STRUCTURE PER YOUR APPLICATION.
 2. CLIENT TO PROVIDE CONTINUOUS MOUNTING SURFACE FOR STRUCTURAL AND SHEET METAL ATTACHMENT.
 3. TOLERANCE: FLOOR TO CEILING VARIANCE MUST BE WITHIN +/- 1/2" ACROSS LENGTH OF MACHINE...
 4. ORDER LENGTHS TO BE AT 1/4" INCREMENTS ONLY.
 5. DIMENSIONS TO NOT INCLUDE HEADS OF EXTERNAL FASTENERS.
 6. STRUCTURAL DESIGN TO USE LOADS OF 11 LBS/FT
 7. STRUCTURAL ATTACHMENT TO BE WITHIN 6" OF EACH END AND MAX OF 36" ON CENTER. (2) SCREWS PER LOCATION, DRILLING REQUIRED ON SITE.



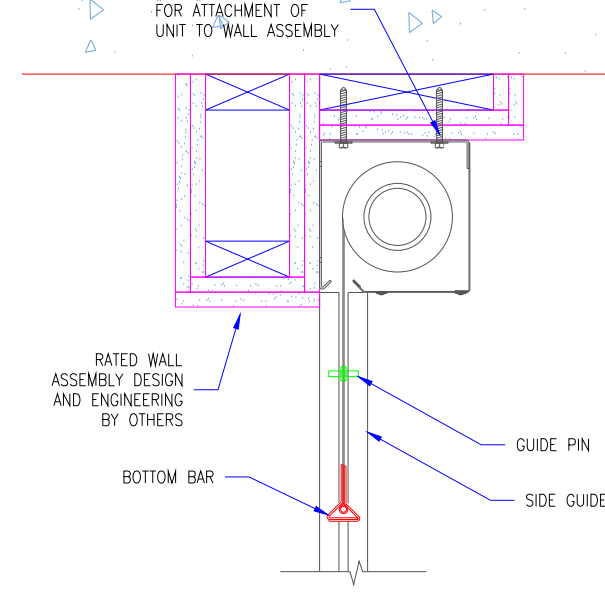
6 TOP MOUNT W/
FLUSH COVER
SCALE: 1 1/2" = 1'-0"
APPROVED FIRE RATED INSTALLATION



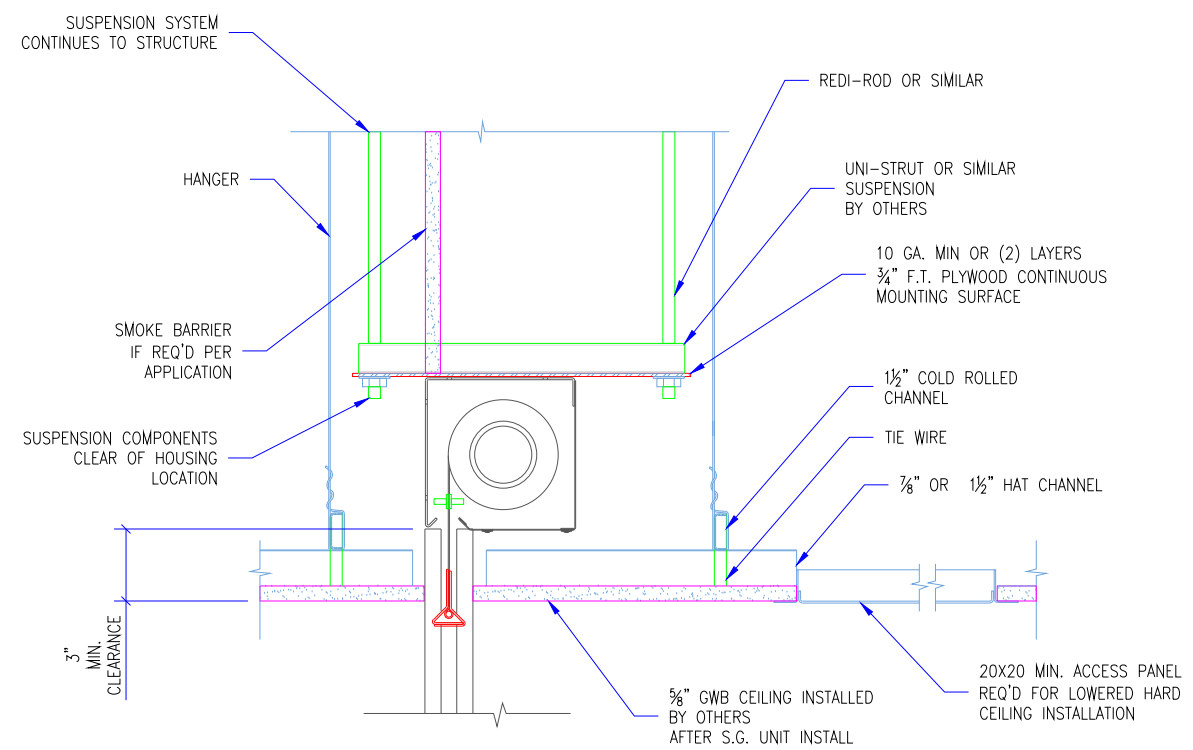
4 HEADBOX
FACE MOUNT
SCALE: 1 1/2" = 1'-0"
APPROVED FIRE RATED INSTALLATION



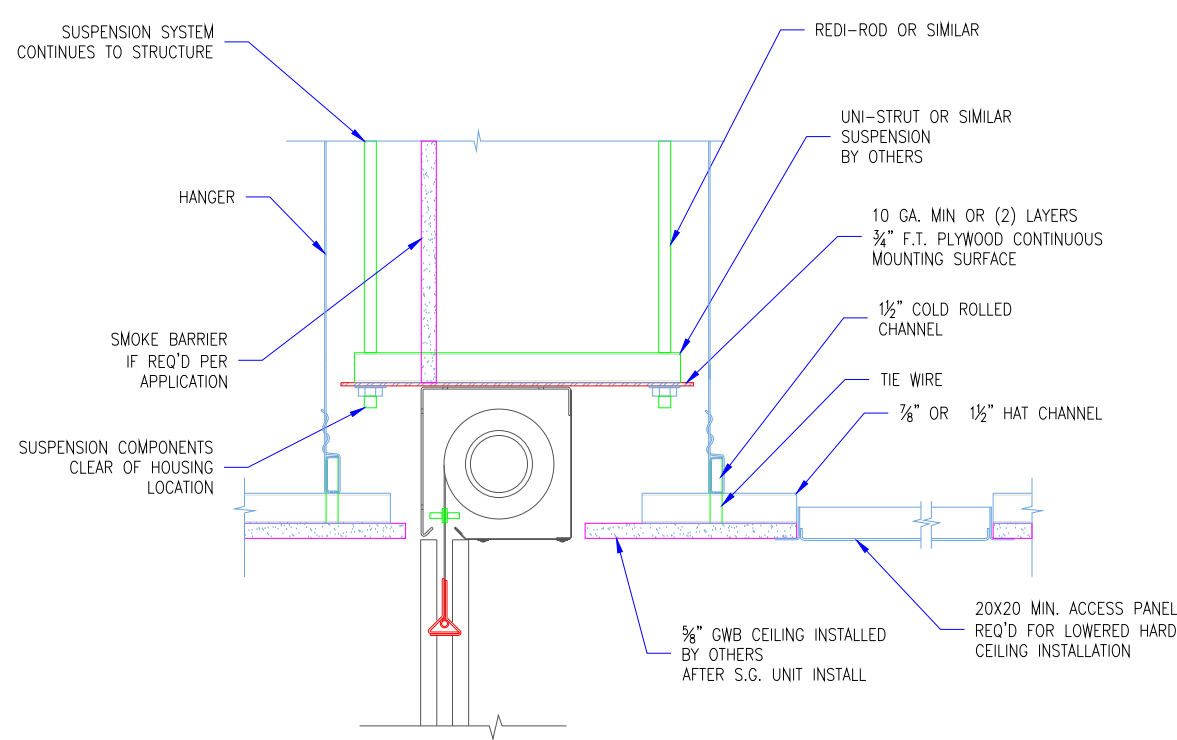
3 HEADBOX
TOP MOUNT TO DECK
SCALE: 1 1/2" = 1'-0"
APPROVED FIRE RATED INSTALLATION



1 HEADBOX AS TESTED
TOP MOUNT
SCALE: 1 1/2" = 1'-0"
APPROVED FIRE RATED INSTALLATION



5 HEADBOX DROPPED CEILING
SCALE: 1 1/2" = 1'-0"
SMOKE RATED INSTALLATION



2 HEADBOX DROPPED CEILING
SCALE: 1 1/2" = 1'-0"
SMOKE RATED INSTALLATION

REVISION		
REVISION NUMBER	REVISION DATE	REVISION DESCRIPTION
01	7.27.20	INITIAL RELEASE

QUOTE:
CONFIGURATION:
PROJECT:
DIST.:

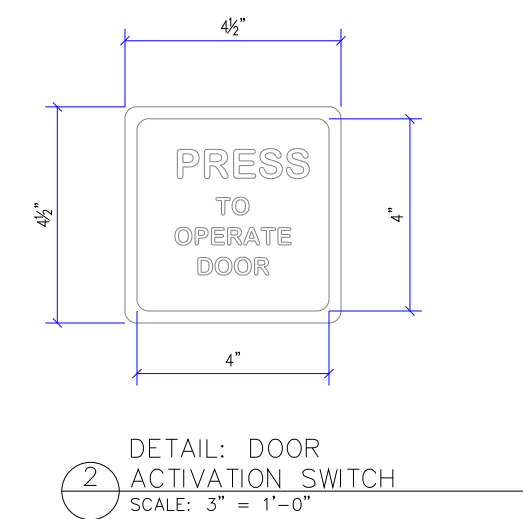
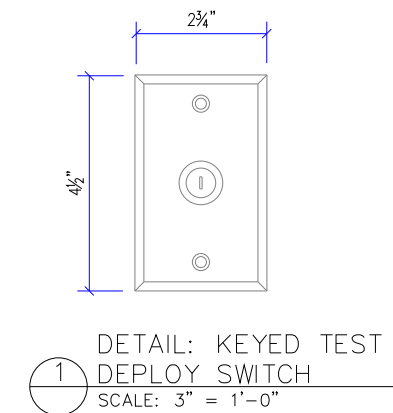
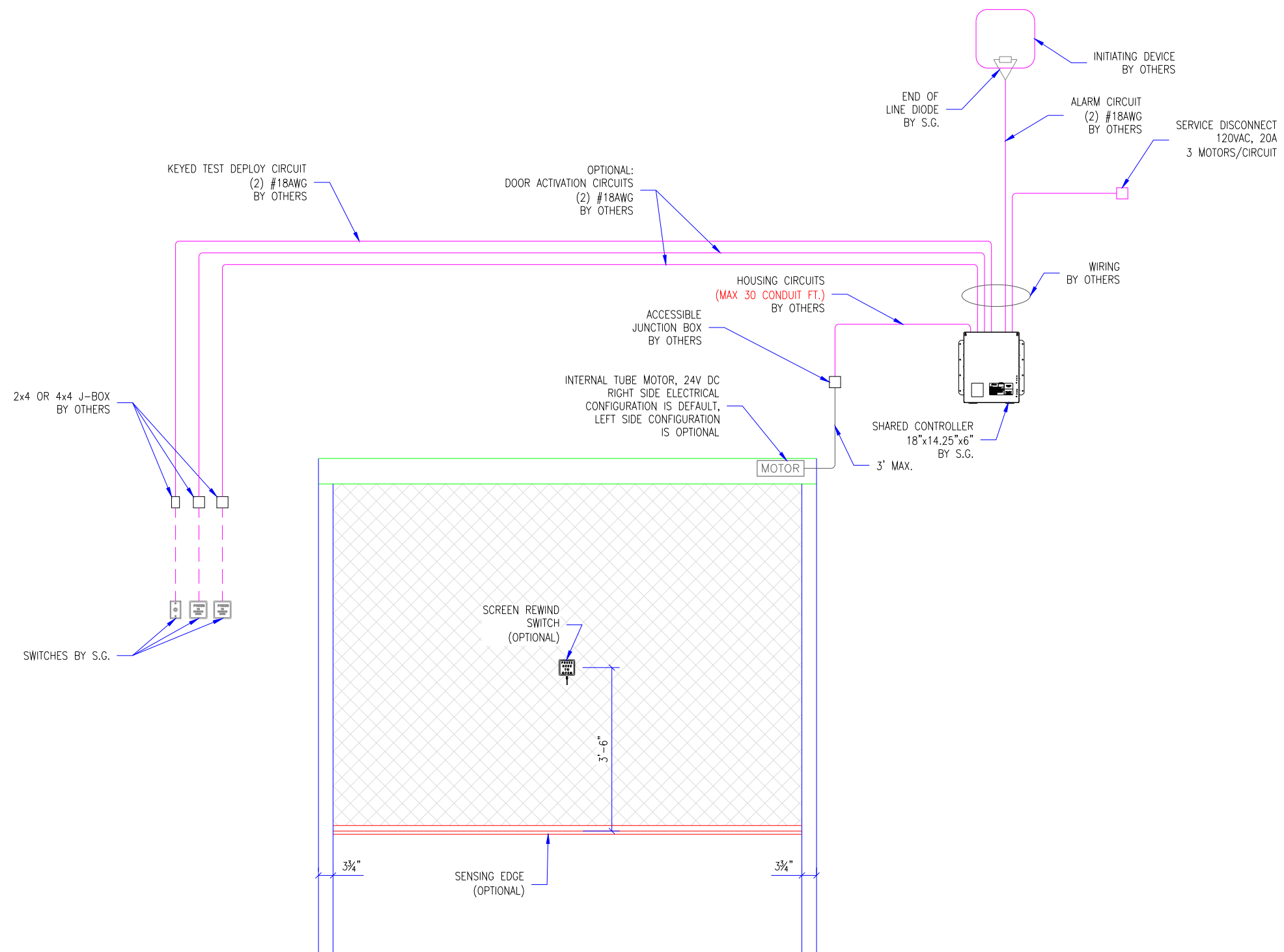
DESIGN SET: D1
MODEL: M2100

HEAD DETAILS
DRAWN: TM 7.28.2020

SIZE
B

SHEET
3 OF 5

- M2100 FIRE NOTES:
1. SMOKE GUARD FIRE RATED UNITS (HOUSINGS & SIDE GUIDES) TO BE MOUNTED TO A FINISHED, FIRE RATED ASSEMBLY OR STRUCTURE PER YOUR APPLICATION.
 2. CLIENT TO PROVIDE CONTINUOUS MOUNTING SURFACE FOR STRUCTURAL AND SHEET METAL ATTACHMENT.
 3. TOLERANCE: FLOOR TO CEILING VARIANCE MUST BE WITHIN +/- 1/2" ACROSS LENGTH OF MACHINE...
 4. ORDER LENGTHS TO BE AT 1/4" INCREMENTS ONLY.
 5. DIMENSIONS TO NOT INCLUDE HEADS OF EXTERNAL FASTENERS.
 6. STRUCTURAL DESIGN TO USE LOADS OF 11 LBS/FT
 7. STRUCTURAL ATTACHMENT TO BE WITHIN 6" OF EACH END AND MAX OF 36" ON CENTER. (2) SCREWS PER LOCATION, DRILLING REQUIRED ON SITE.



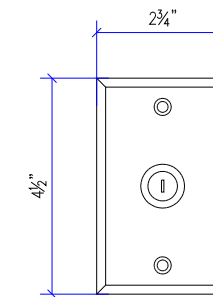
A ELECTRICAL DIAGRAM
SCALE: 3/8" = 1'-0"

REVISION		
REVISION NUMBER	REVISION DATE	REVISION DESCRIPTION
01	7.27.20	INITIAL RELEASE

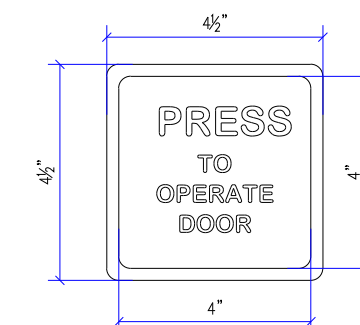
QUOTE:
CONFIGURATION:
PROJECT:
DIST.:

DESIGN SET: D1	SIZE B
MODEL: M2100	SHEET 4 OF 5
ELECTRICAL DIAGRAM SINGLE CONTROLLER	
DRAWN: TM	7.28.2020

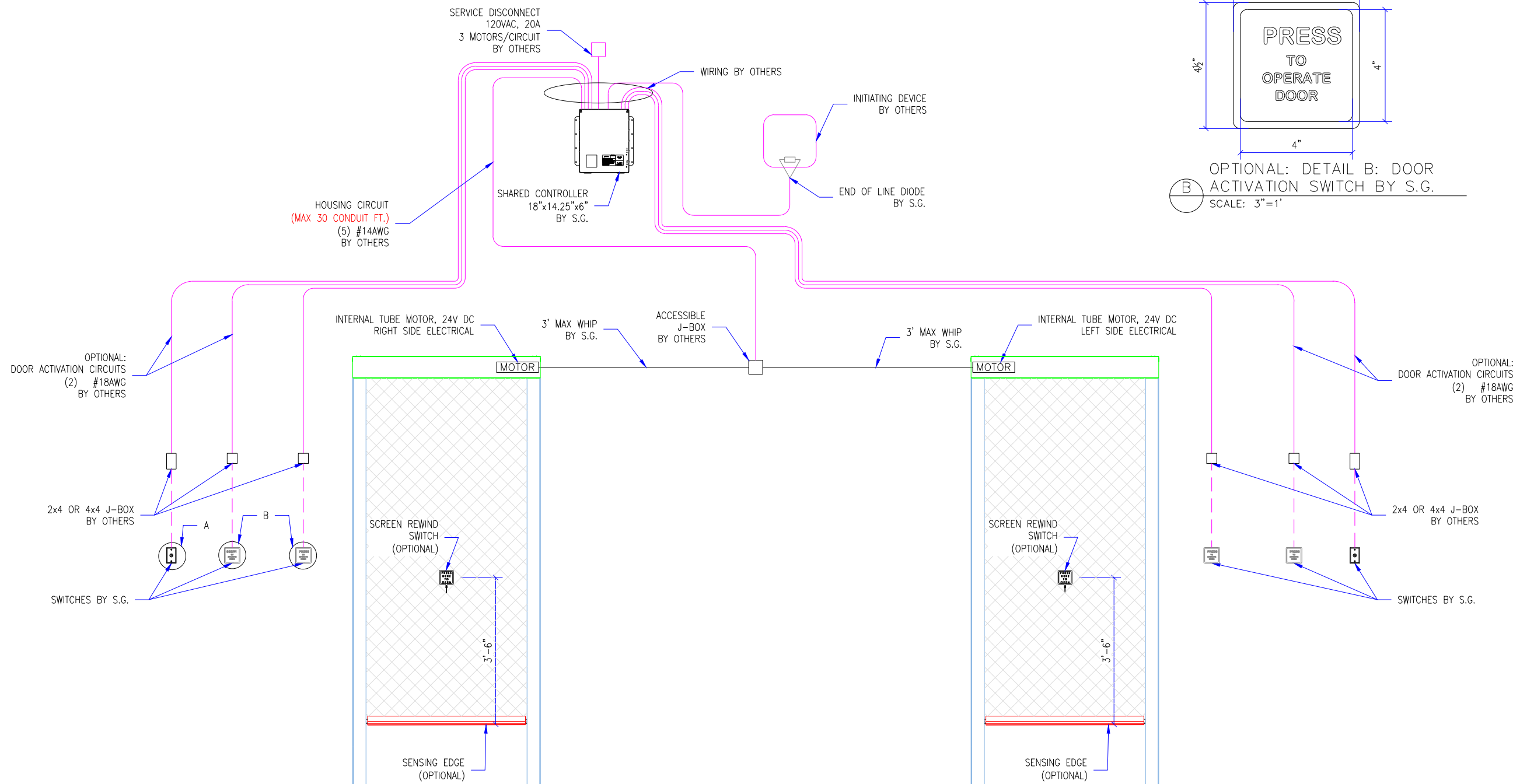
- M2100 FIRE NOTES:
1. SMOKE GUARD FIRE RATED UNITS (HOUSINGS & SIDE GUIDES) TO BE MOUNTED TO A FINISHED, FIRE RATED ASSEMBLY OR STRUCTURE PER YOUR APPLICATION.
 2. CLIENT TO PROVIDE CONTINUOUS MOUNTING SURFACE FOR STRUCTURAL AND SHEET METAL ATTACHMENT.
 3. TOLERANCE: FLOOR TO CEILING VARIANCE MUST BE WITHIN +/- 1/2" ACROSS LENGTH OF MACHINE..
 4. ORDER LENGTHS TO BE AT 1/4" INCREMENTS ONLY.
 5. DIMENSIONS TO NOT INCLUDE HEADS OF EXTERNAL FASTENERS.
 6. STRUCTURAL DESIGN TO USE LOADS OF 11 LBS/FT
 7. STRUCTURAL ATTACHMENT TO BE WITHIN 6" OF EACH END AND MAX OF 36" ON CENTER. (2) SCREWS PER LOCATION, DRILLING REQUIRED ON SITE.



DETAIL A: KEYED TEST DEPLOY SWITCH BY S.G.
SCALE: 3"=1'



OPTIONAL: DETAIL B: DOOR ACTIVATION SWITCH BY S.G.
SCALE: 3"=1'



1 M2100 SHARED CONTROLLER
SCALE: 3/8" = 1'-0"

REVISION		
REVISION NUMBER	REVISION DATE	REVISION DESCRIPTION
01	7.27.20	INITIAL RELEASE

QUOTE:
CONFIGURATION:
PROJECT:
DIST.:

DESIGN SET: D1	SIZE B
MODEL: M2100	SHEET 5 OF 5
ELECTRICAL DIAGRAM SHARED CONTROLLER	
DRAWN: TM	7.28.2020