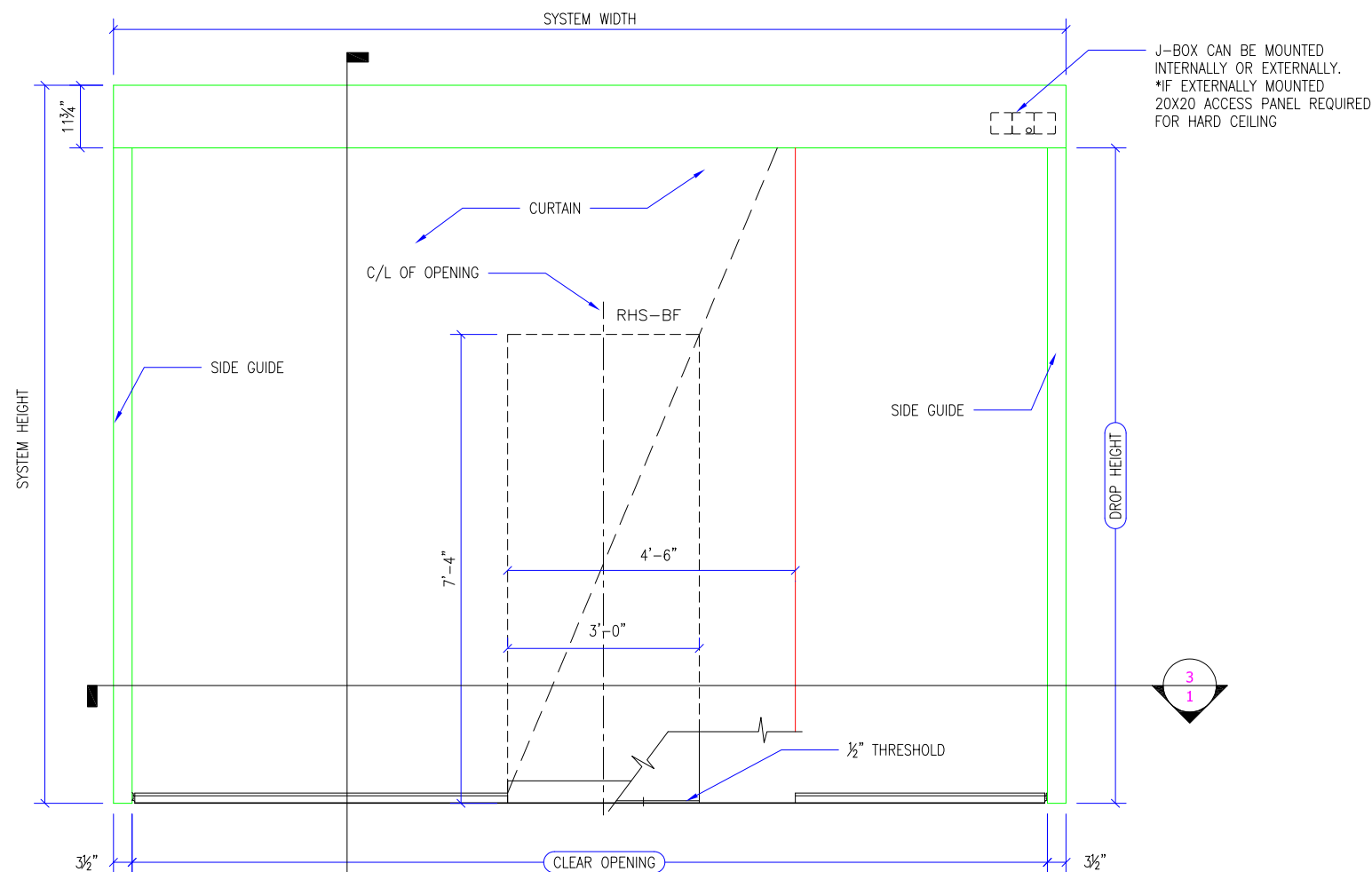
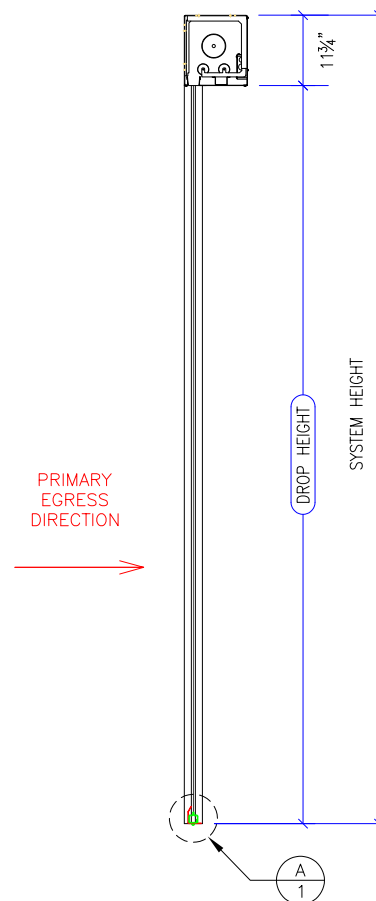


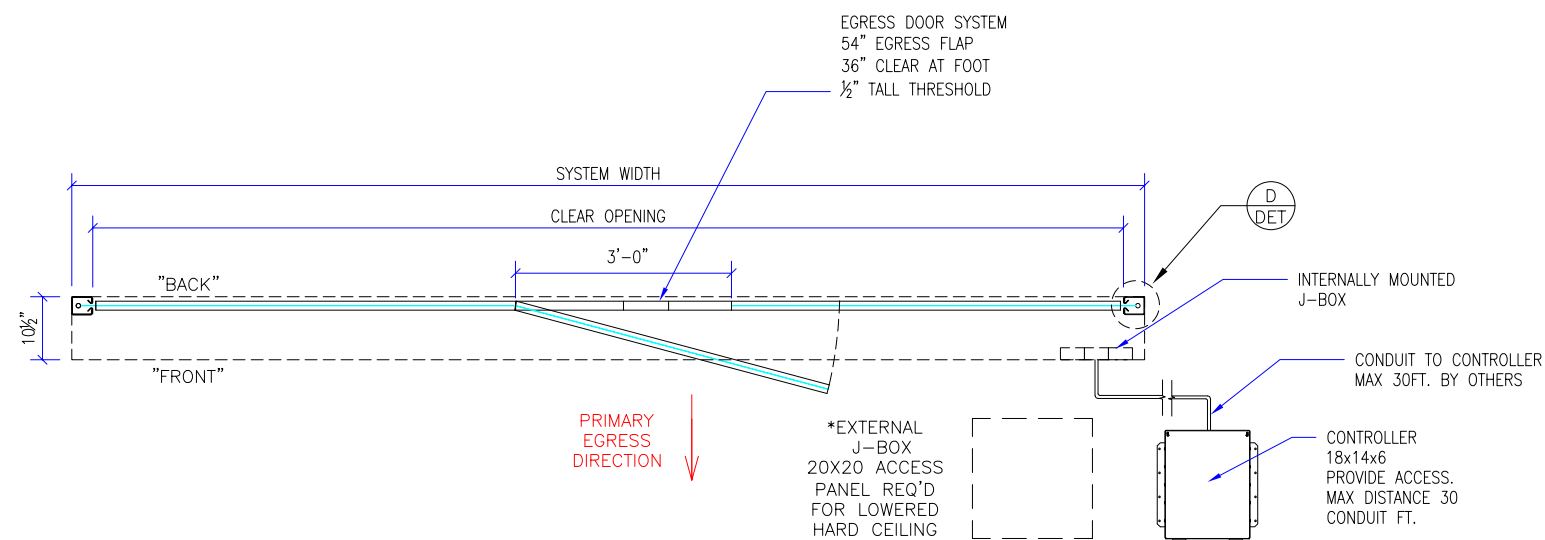
- M2500EGRESS FIRE GENERAL NOTES:
- SMOKE GUARD FIRE RATED UNITS (HOUSINGS & SIDE GUIDES) TO BE MOUNTED TO A FINISHED, FIRE RATED ASSEMBLY OR STRUCTURE PER YOUR APPLICATION.
 - CLIENT TO PROVIDE CONTINUOUS MOUNTING SURFACE FOR STRUCTURAL AND SHEET METAL ATTACHMENT.
 - TOLERANCE: FLOOR TO CEILING VARIANCE MUST BE WITHIN +/- 1/2" ACROSS LENGTH OF MACHINE.
 - ORDER LENGTHS TO BE AT 1/4" INCREMENTS ONLY.
 - DIMENSIONS TO NOT INCLUDE HEADS OF EXTERNAL FASTENERS.
 - STRUCTURAL DESIGN TO USE LOADS OF 26 LBS/FT
 - STRUCTURAL ATTACHMENT TO BE WITHIN 6" OF EACH END AND MAX OF 36" ON CENTER. (2) SCREWS PER LOCATION, DRILLING REQUIRED ON SITE.



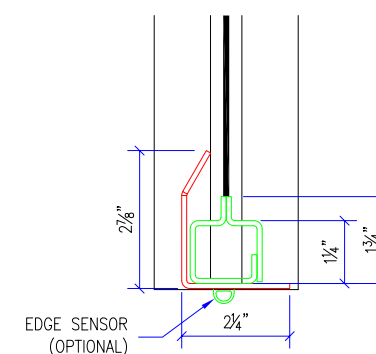
1 M2500 EGRESS ELEVATION
SCALE: 3/8" = 1'-0"



2 M2500 EGRESS SECTION
SCALE: 3/8" = 1'-0"



3 M2500 EGRESS PLAN
SCALE: 3/8" = 1'-0"



A M2500 BOTTOM BAR W/EGRESS BASE
SCALE: 3" = 1'-0"

REVISION		
REVISION NUMBER	REVISION DATE	REVISION DESCRIPTION
D1	7.28.20	INITIAL RELEASE

QUOTE: -----
CONFIGURATION: -----
PROJECT: -----
DIST.: -----

DESIGN SET: D1	SIZE B
MODEL: M2500E	SHEET 1 OF 1
SHEET TITLE: M2500 EGRESS ELEVATION & SECTION	
DRAWN: TLM	DATE: 7.28.2020